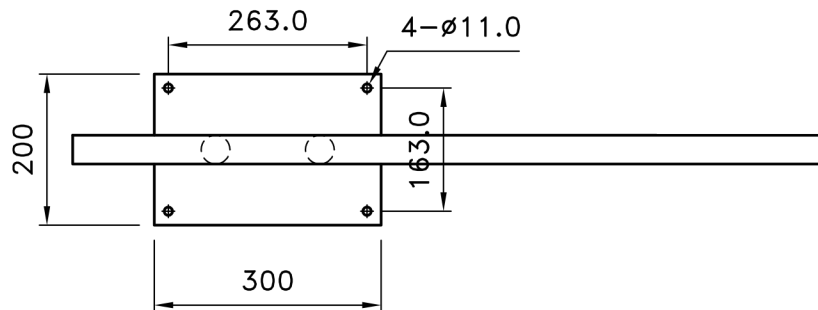
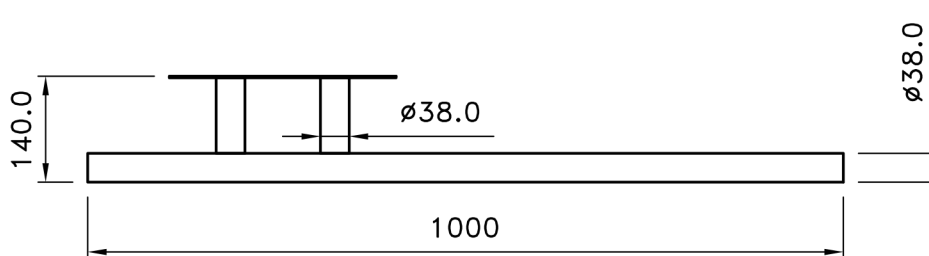
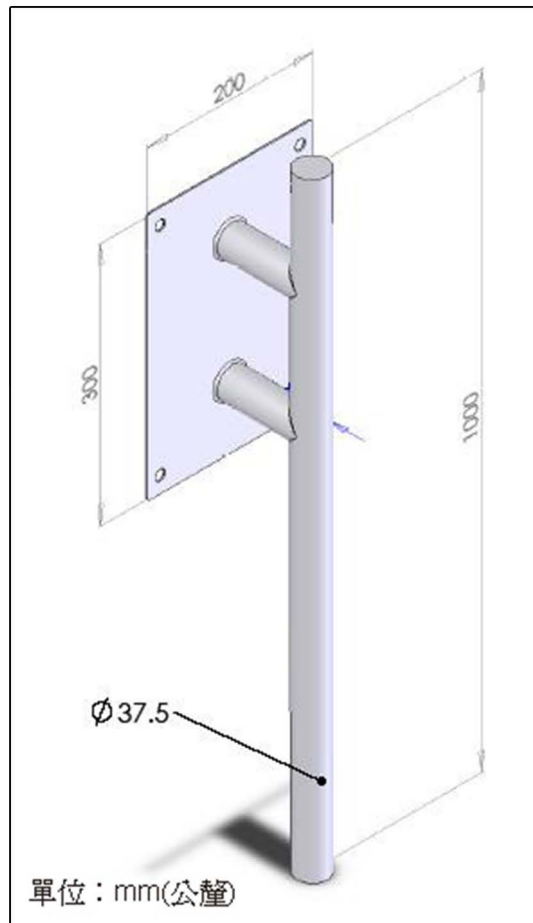


REV	DATE	DESCRIPTION	DRAWN



NOTE:
1.MATERIAL: STANLESS

NOTE	DIMENSION
1.STRIP ALL BURRS. 2.ALL DIMENSIONS ARE AFTER PLATING. 3.DIAMETERS ON COMMON CENTERS. TO BE CONCENTRIC WITHIN 0.1 T.I.R 4.CHAMFER 1ST & LAST THREADS 45° 5.BREAK ALL CONNERS & EDGES CO.15 MAX.	UNLESS OTHERWISE NOTED TOLERANCES X=±0.3 0.X=±0.2 0.XX=±0.1

 WIFI-Link™ 台灣崑海尼可	
TITLE 加長型戶外天線牆壁固定架	
DRAWING NO. WL-LFI-03	
APPROVED	DRAWN DATE 12/20/11
CHECKED	SCALE 1:10
DRAWN ALICE	UNIT mm