



WIFI-Link™ Technologies Inc.

歲海尼可網路科技有限公司

WEB: <http://www.wifi-link.com.tw/> TEL: 06-2523801 FAX: 06-2526033

11dBi 指向天線防水盒(2.4GHz ComTenna III™)

WL-CTIII-2450-11

APPLICATIONS AND FEATURES

Applications:

- 2.4~2.5 GHz 11dBi ISM Band
- IEEE 802.11b/g/n Wireless LAN
- Directional application
- Bluetooth、Wi-Fi、RFID
- Public Wireless Hotspot
- Wireless Video Systems

Features :

- Superior Performance
- Made with weatherproof and corrosion resistant
- Good appearance design
- Installed for vertical or horizontal polarization
- Heavy Duty mounting
- RoHS Compliant



SPECIFICATIONS:

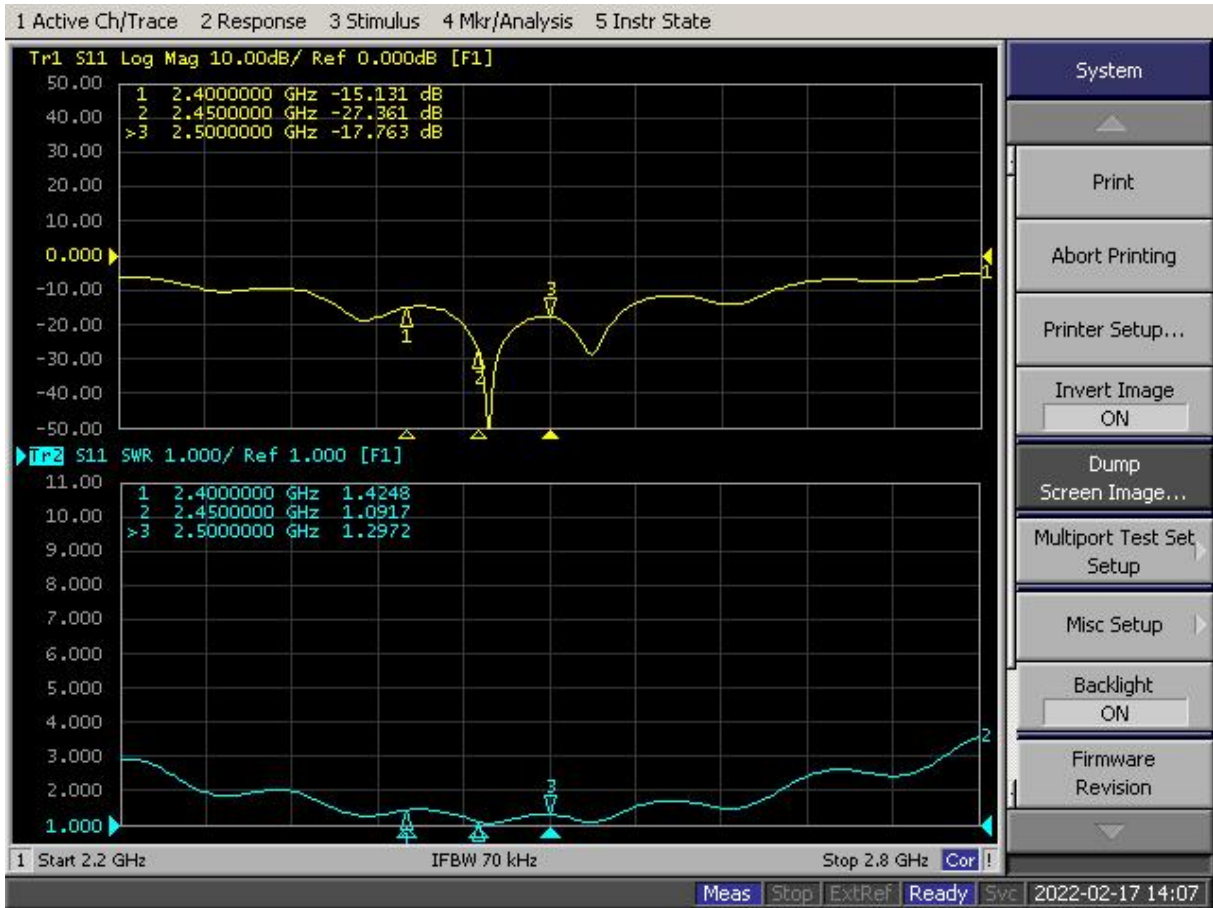
Electrical Specifications

Frequency Range	2400~2500MHz
V.S.W.R	≤ 1.5:1
Return Loss	≥ -14db
Antenna Type	PCB patch
Gain	11dBi
Polarization	Vertical or Horizontal
Maximum Power	50W
Vertical Beam-with	40°
Horizontal Beam-with	40°
Impedance	50Ω
Connector	SMA Female

Mechanical Specifications

天線尺寸	190x 190 x 65mm
防水盒尺寸	120x 120 x 30mm
Weight	940g
Wind Survival	> 150 MPH
Radome Material	ABS+UV resistance
Clamps	U-bolt
Mounting	86-126mm
Operating Temperature	-40°C to +80°C

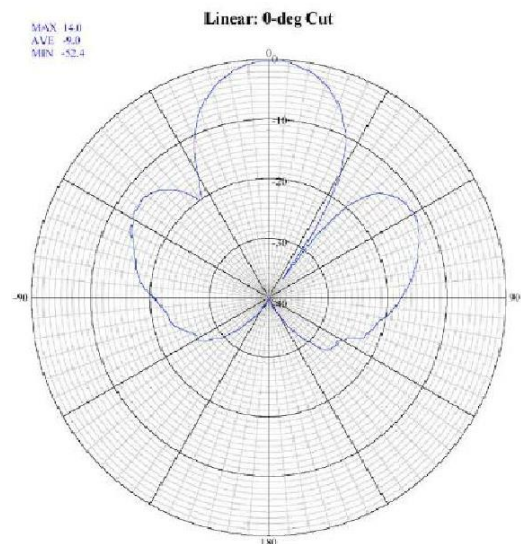
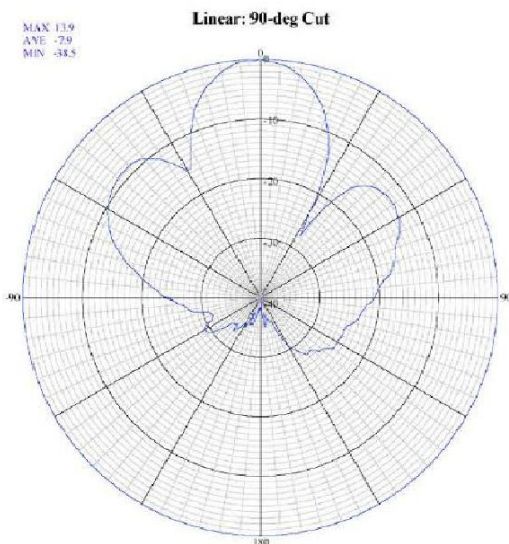
TESTING REPORT



Antenna Horizontal Pattern

Vertical

Horizontal

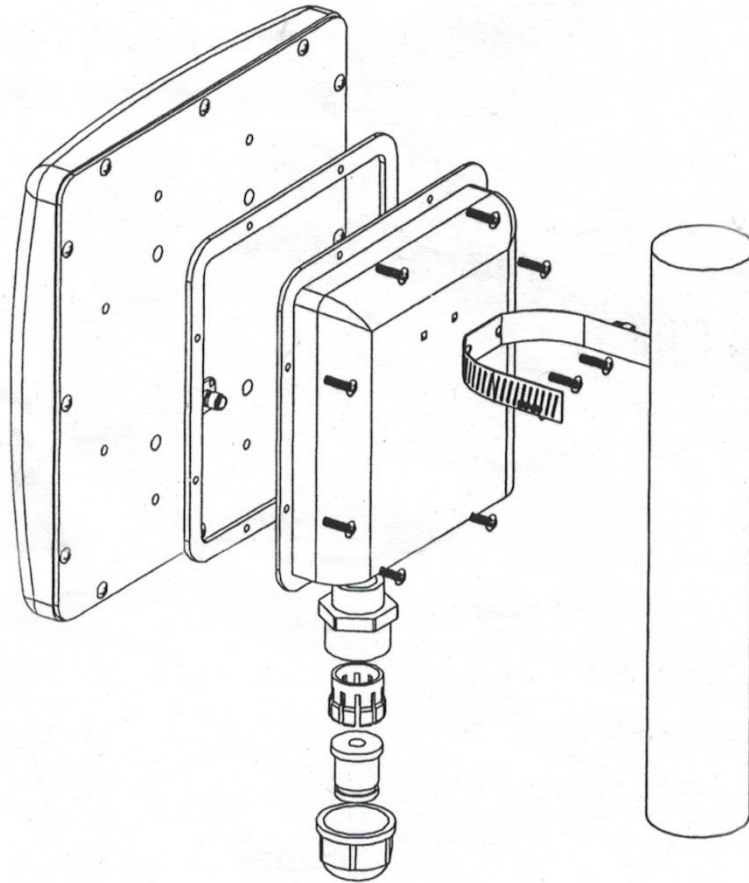


WIFI-Link™ Technologies Inc.

歲海尼可網路科技有限公司

WEB: <http://www.wifi-link.com.tw/> TEL: 06-2523801 FAX: 06-2526033

2.4GHz RF HI-GAIN ANTENNA



SPECIFICATION

- Frequency: 2400~2483MHZ
- Max gain: 11±1 dBi
- Connector: SMA-type / Female
- Max input power: ≤50w
- Wave impedance: 50 ohm
- Dimensions: L190 x W190 x 65 mm
- Wight: 980g
- For Image/ Date/ Voice communications and Wireless LAN system



WIFI-Link™ Technologies Inc.

歲海尼可網路科技有限公司

WEB:<http://www.wifi-link.com.tw/> TEL:06-2523801 FAX:06-2526033