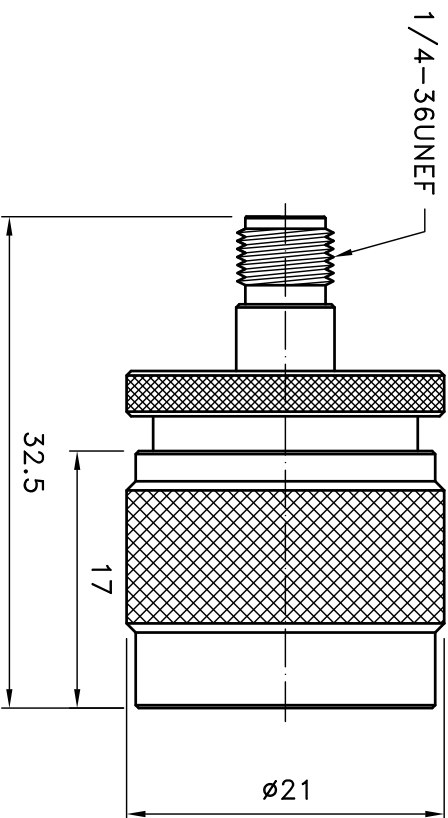


REV	DATE	DESCRIPTION	DRAWN
01/04/13	已校正		ALICE
A			



Prohibit re-circulating



NOTE:
 CENTER PIN GOLD PLATING 1.5μ THICK OVER NICKEL STRIKE
 BODY GOLD PLATING 5μ THICK OVER NICKEL STRIKE
 BRASS AND PTFE PER SGS
 FINISH PLATING THICKNESS IN MICRO-INCHES
 COPPER PARTS AUTOMATIC CNC MANUFACTURING

NO	DESCRIPTION	MATERIAL	FINISH	Q'ty
6	SHELL	BRASS	NICKEL	1
5	GASKET	SILICONE	RED	1
4	RETAINING RING	BRASS	NONE	1
3	INSULATOR	TEFLON	NONE	1
2	PIN	PHOS BRONZE	GOLD	1
1	BODY	BRASS	NICKEL	1

NOTE	DIMENSION
1. STRIP ALL BURRS. 2. ALL DIMENSIONS ARE AFTER PLATING. 3. DIAMETERS ON COMMON CENTERS. 4. CHAMFER 1ST & LAST WITHIN 0.1 T.L.R. 5. BREAK ALL CORNERS & EDGES CO.15 MAX.	UNLESS OTHERWISE NOTED TOLERANCES X = ±0.3 0.X = ±0.2 0.XX = ±0.1

TITLE SMA FEMALE TO N MALE		DRAWING NO. WL-AD-SMAJ-NP	
APPROVED ALICE		DRAWN DATE 01/04/13	
CHECKED ALICE		SCALE 2:1	
DRAWN ALICE		UNIT mm	
		ZL	