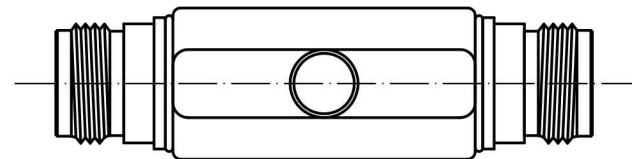
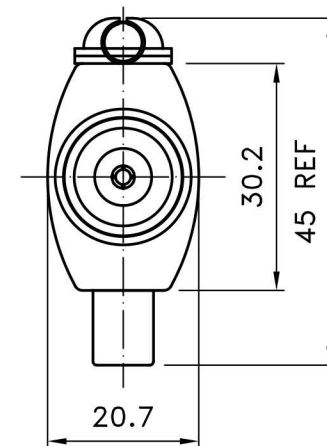
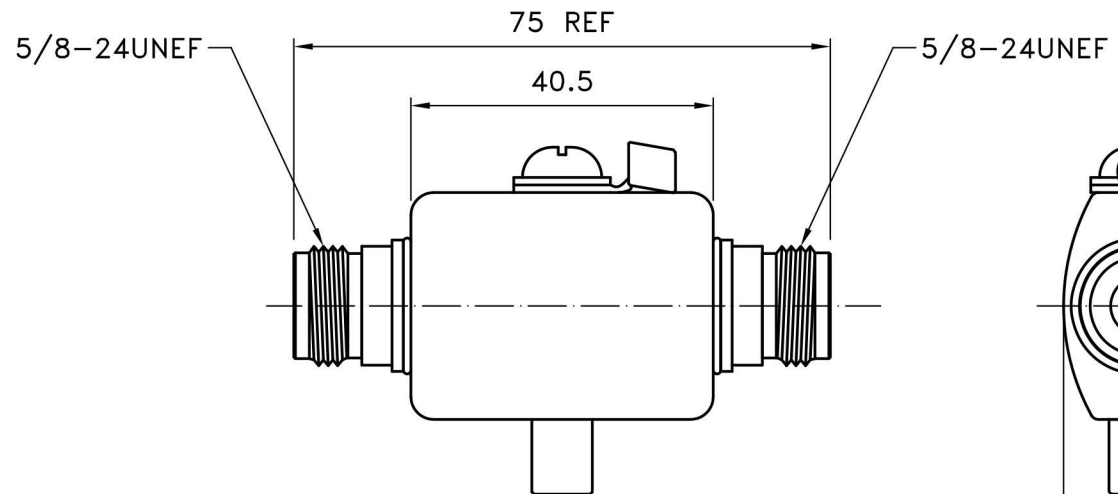
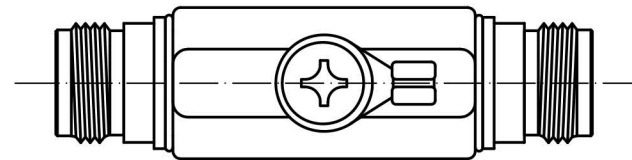


REV	DATE	DESCRIPTION	DRAWN
△			



**SPECIFICATIONS:**

\*BODY:ALUMINUM(6061)/BLACK MATT FINISH

\*CONNECTOR:

N FEMALE /BRASS/NICKEL PLATED  
CONTACT/BRASS/GOLD PLATED  
INSULATOR/TEFLON

\*FREQUENCY RANGE:3GHz

\*V.S.W.R:a.1GHz~2GHz LESS THAN 1.2  
b.2GHz~3GHz LESS THAN 1.5

\*INSERTION LOSS:LESS THAN 0.2dB

\*DC BREAKDOWN VOLTAGE:DC90V±20%

\*TOLERANCE OF DCBV: ±15%

\*IMPULSE BREAKDOWN VOLTAGE@1KV/us: ≤700V 5KV/MAX

\*AC DISCHARGE CURRENT@50Hz:10A

\*Surge Discharge Current:

100A(10/1000 μs,300times with 3mins interval)

10kA (8/20 μs,10times with 3mins interval)

\*INSULATION RESISTANCE: ≥10000Mohm

\*ELECTRODE CAPACITANCE@1MHz: ≤1.5

NOTE	DIMENSION
1.STRIP ALL BURRS. 2.ALL DIMENSIONS ARE AFTER PLATING. 3.DIAMETERS ON COMMON CENTERS. TO BE CONCENTRIC WITHIN 0.1 T.I.R 4.CHAMFER 1ST & LAST THREADS 45° 5.BREAK ALL CONNERS & EDGES CO.15 MAX.	UNLESS OTHERWISE NOTED TOLERANCES  X=±0.3 0.X=±0.2 0.XX=±0.1

 <b>WIFI-Link™</b> 台灣崑海尼可	
TITLE LP N Female TO N Female 3GHz	
DRAWING NO. WL-LA-NJ-NJ3G	
APPROVED	DRAWN DATE 01/21/11
CHECKED	SCALE 1:1
DRAWN ALICE	UNIT mm