



**WIFI-Link™ Technologies Inc.**

歲海尼可網路科技有限公司

WEB: <http://www.wifi-link.com.tw/> TEL:06-2523801 FAX:06-2526033

圓型磁鐵基座+1.5公尺線材 RSMA (RG174)

WL-MBDA-1.5M

### **SPECIFICATIONS:**

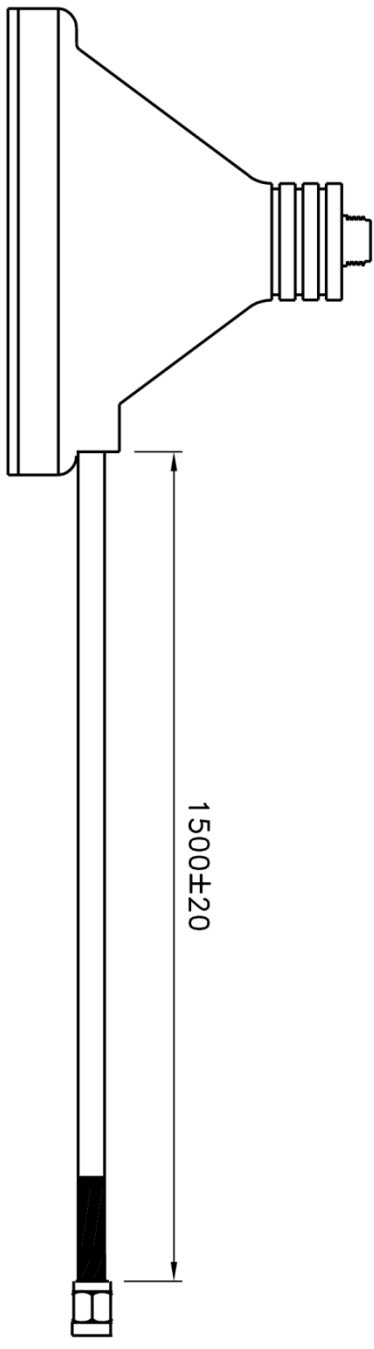
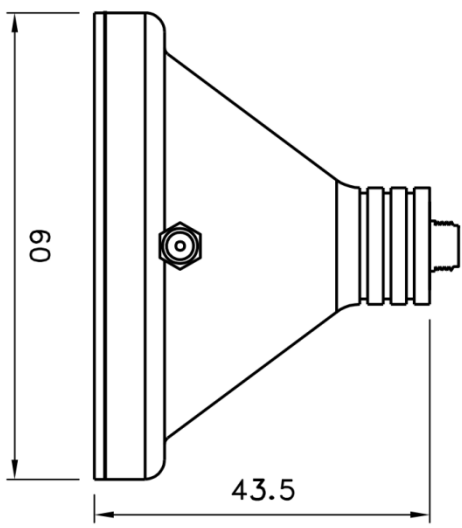
Length	43.5mm
Diameter	60mm
Weight	70g
Cable	RG174 L=1500mm
RoHS Compliant	Yes
BM Material	Black rubber sheet
Material of Radiator	Cu (Plated)
Connector Type	RP SMA MALE
Storage Temperature	30 °C ~ + 85 °C
Operation Temperature	30 °C ~ + 85 °C



### **Reliability Testing:**

Test Item	Procedure	Requirement
Visual inspection and Dimension Check	Applicable methods using x5 magnification	follow specification
Rapid Changing of Temperature	-40°C (30minutes) to 90°C (30minutes); 24 cycles	After 2 hours recovery: 1.no visible damage 2.Freq. Tol.: < ±5%
Damp Heat	24 hours at 60°C; 90 ~ 95% RH	After 2 hours recovery: 1.no visible damage 2.Freq. Tol. : < ±5%
Endurance	24 hours at 90°Ci	After 2 hours recovery: 1.no visible damage 2.Freq Tol.: < ±5%

REV	DATE	DESCRIPTION	DRAWN



NOTE	DIMENSION
1. STRIP ALL BURRS.	UNLESS OTHERWISE NOTED, TOLERANCES
2. ALL DIMENSIONS ARE AFTER PLATING.	X = ±0.3
3. DIAMETERS ON COMMON CENTERS TO BE CONCENTRIC WITHIN 0.1 TYP.	0.X = ±0.2
4. C AMFER 151 & LAST PLEADS 45.	0.XX = ±0.1
5. BREAK ALL CORNERS & EDGES 0.15 MAX.	

 <b>WIFI-LINK™</b> 台灣威海尼可	
TITLE 圓型磁鐵底座+1.5公尺線材	
DRAWING NO. WL-MBDA-1.5M	
APPROVED	DRAWN DATE 10/12/07
CHECKED	SCALE 1:1
DRAWN ALICE	UNIT mm

NOTE:  
1. CABLE:RG174